



Instruction Manual

THE ICONIC 900

Model: ICONIC 900 B
Version: HANGING MODEL
Date: 2025

Table of Contents

1. Introduction
 2. Safety Information
 3. Product Overview
 4. Assembly Instructions
 5. Operating Instructions
 6. Maintenance and Care
 7. Troubleshooting
 8. Warranty Information
 9. Customer Support
-

1. Introduction

Welcome to your ICONIC 900! This guide will help you set up and use your product. Please read all instructions carefully to ensure proper usage and safety.

2. Safety Information

Important Safety Instructions

1. **Read Carefully:** Read all safety instructions before using this product.
2. **Proper Usage:** Only use the product as intended. Any misuse may result in damage or injury.
3. **Keep Away from Water:** Avoid using the product near water or in damp conditions.

SAVE THESE INSTRUCTIONS

Thank you for purchasing this Icon Fires product. Icon Fires places the highest priority on safety of its products. Every care has been taken in designing, manufacturing and assembling your ICONIC 900 to ensure it operates effectively, efficiently and safely. Live-fire products must be treated with care. We ask that you exercise care when using this product and follow the instructions below. Before using your ICONIC 900, please read all the information contained in this Operation Manual carefully. Icon Fires cannot be held responsible for any damage or injury caused if these instructions are not followed.

Retain this Manual for future reference.

IMPORTANT SAFEGUARDS

When using the ICONIC 900 fireplace, basic precautions should always be followed, including but not limited to the following. **Read all instructions and warnings before assembling and operating the ICONIC 900 fireplace.**



WARNING - IMPORTANT SAFEGUARDS

Read all instructions and warnings before installation and use

- NEVER LEAVE THE APPLIANCE UNATTENDED DURING OPERATION OR WHEN A FLAME IS PRESENT.
- DO NOT IGNITE THE COMBUSTION CHAMBER (BURNER) WHEN IT IS IN A HOT STATE.
- THIS PRODUCT IS TO BE USED ONLY IN ROOMS ACCORDING TO THE USER MANUAL.
- KEEP AWAY FROM CHILDREN.
- STORAGE OF YOUR FUEL IS TO BE DONE IN ACCORDANCE WITH NATIONAL AND/OR REGIONAL REGULATIONS.
- THIS PRODUCT IS FOR DECORATIVE AND DOMESTIC USE ONLY.
- NOT SUITABLE FOR CONTINUOUS OPERATION.
- OPERATION OF SEVERAL APPLIANCE IN ONE ROOM IS ONLY ALLOWED IF THE POWER OUTPUT IS EQUAL TO OR LOWER THAN 4,5 kW/h AND ADDITIONAL VENTILATION IS REQUIRED IF THIS IS EXCEEDED.
- DO NOT OVERFILL THE BURNER'S INTENDED CAPACITY.
- OVERFILLING WILL CAUSE THE APPARATUS TO BURN AT HIGHER TEMPERATURE RATES RESULTING IN THE APPARATUS BEING DIFFICULT TO TURN OFF.
- DO NOT INSTALL INTO AN AREA WHERE THERE IS A DRAFT WHICH CAN AFFECT THE FLAME.
- USE ONLY THE FUEL FOR WHICH THE COMBUSTION CHAMBER IS INTENDED.
- DO NOT TOUCH THE EXTERIOR OF THE CHIMENEA AND THE BURNER DURING OR AFTER BURNING.
- PARTS OF THIS CHIMENEA AND ESPECIALLY THE COMBUSTION CHAMBER AND SHELL CAN REACH HIGH TEMPERATURES DURING OPERATION.
- DO NOT COVER NOR MOVE THE COMBUSTION CHAMBER OR CHIMENEA DURING OPERATION.
- DO NOT HAVE COMBUSTIBLE OBJECTS IN CLOSE PROXIMITY TO THE CHIMENEA.
- NEVER POSITION THE BURNER WITHIN RANGE OF COMBUSTIBLE ITEMS THAT CAN BE MOVED/BUMPED BY ACCIDENT OR BLOWN BY THE WIND. e.g. CURTAINS, PAPERS & BLANKETS.
- ONLY USE THE CHIMENEA IN AREAS WITH ADEQUATE VENTILATION.
- DRAFT AREAS WILL CAUSE THE APPARATUS TO BURN AT HIGHER TEMPERATURE RATES RESULTING IN THE APPARATUS BEING DIFFICULT TO TURN OFF, THEREFORE THE APPARATUS SHOULD NOT BE USED IN A DRAFT AREA.
- DO NOT COVER THE CHIMENEA VENT WITH ANY DECORATIVE ITEMS WHETHER THEY ARE COMBUSTIBLE OR NON-COMBUSTIBLE, INCLUDING BUT NOT LIMITED TO ARTIFICIAL LOGS, STONES, PEBBLES, GLASS BEADS etc.
- THIS APPARATUS HAS NOT BEEN TESTED WITH AN UNVENTED GAS LOG SET, TO REDUCE THE RISK OF FIRE OR INJURY, DO NOT INSTALL AN UNVENTED GAS LOG SET INTO THIS APPLIANCE.
- WARNING: FILLING AN ALCOHOL FUELLED DEVICE WHILE LIT HAS CAUSED SEVERE BURNS AND DEATHS. WHEN REFILLING FIRST CHECK THE FLAME IS EXTINGUISHED AND THAT THE DEVICE IS COOL.
- NEVER FILL OR REFILL THE BURNER OVER OR NEAR AN OPEN FLAME.
- IMPORTANT NOTE FOR AUSTRALIAN MARKET: FOR FILLING OR REFILLING ALWAYS USE THE FUEL CANNISTER WITH A FLAME ARRESTOR THAT IS PROVIDED.

CAUTION

- MAKE SURE YOU HAVE READ AND UNDERSTOOD THIS MANUAL BEFORE USING THIS PRODUCT.
- IF FUEL IS SPILT ONTO THE SURFACE WIPE IT IMMEDIATELY WITH A DRY CLOTH AND LEAVE TO DRY BEFORE LIGHTING THE BURNER.
- IF THE BURNER IS ACCIDENTALLY OVERFILLED, FOLLOW THE STEPS IN THE MANUAL TO RECTIFY.
- IN AUSTRALIA IS IT MANDATORY FOR ALL PRODUCTS TO BE SUPPLIED WITH A FUEL CANNISTER WHICH HAS A FLAME ARRESTOR.
- ICON FIRES SUPPLIES A FUEL CANNISTER WITH A FLAME ARRESTOR IN THE AUSTRALIAN MARKET. WE RECOMMEND IN ALL MARKETS TO USE A FUEL CANNISTER WITH A FLAME ARRESTOR.
- TO REFILL, WAIT UNTIL THE BURNER IS AT THE ROOM TEMPERATURE AFTER THE FLAME HAS BEEN TURNED OFF.
- NOTE: THE FLAME MAY NOT BE VISIBLE TO THE NAKED EYE IN DAYLIGHT AND MUST BE COOL BEFORE FILLING.
- NEVER REFILL OVER OR NEAR AN OPEN FLAME AND USE A DECANTER WITH A FLAME ARRESTOR ONLY.
- REMOVE ALL PLASTIC & PACKAGING BEFORE USING THE FIREPLACE.

3. Product Overview



Included in the Box:

1. The ICONIC 900 Combustion Chamber (Burner)
2. The ICONIC 900 Removable Tray Bracket
3. The ICONIC 900 Burner Mounting Plate
4. The ICONIC 900 Shell
5. The ICONIC 900 Connection Pole with Rotation
6. The ICONIC 900 Hanging System Pole 250 mm
7. The ICONIC 900 Hanging System Pole 500 mm
8. The ICONIC 900 Hanging System Pole 1000 mm
9. The ICONIC 900 Standard Ceiling Bracket
10. The ICONIC 900 Burner Lifting Handle
11. The ICONIC 900 Burner Closing Handle
12. Fuel Cannister with Flame Arrestor (* In Australia Only)
13. Easy Pour Spout (* In Australia Only)
14. Electric Pump (* All markets except Australia)

Material List:

- The ICONIC 900 Burner - 304 SS
- The ICONIC 900 Hanging System - 304 SS with Heat Resistant Paint
- The ICONIC 900 Shell - Mild Steel with Heat Resistant Paint

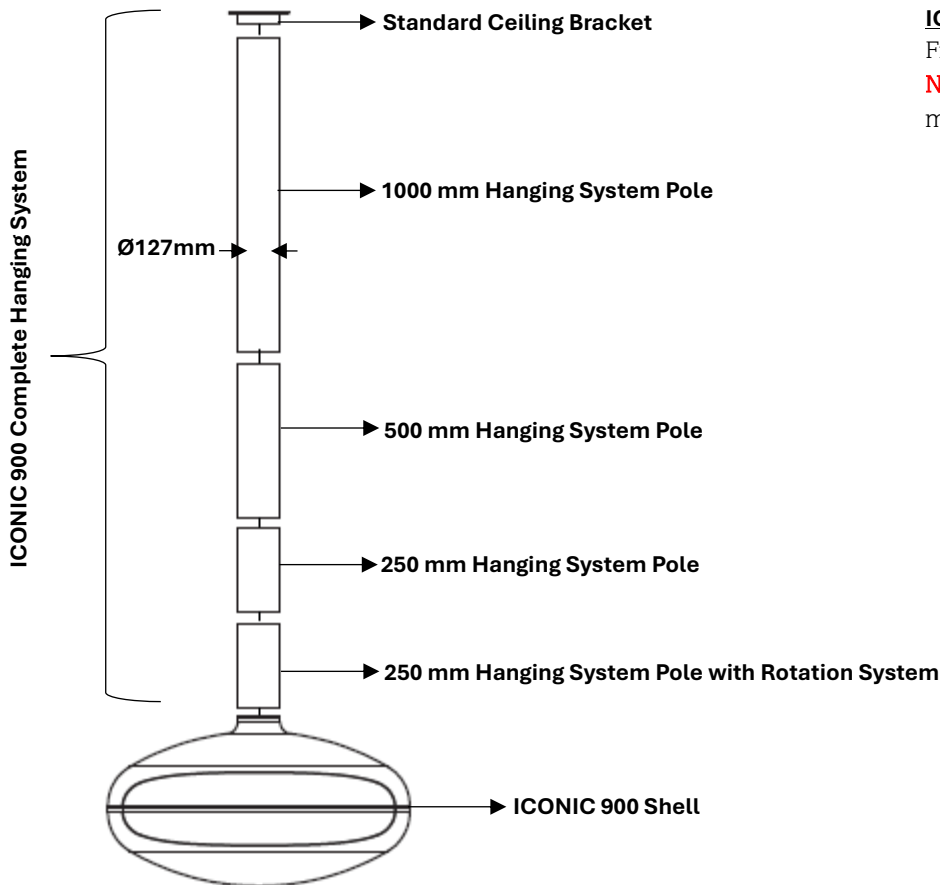
4. Assembly Instructions

Before beginning with the assembly, please make sure you have read the manual carefully.

Lay out all parts on a flat surface. Confirm all pieces are present according to the "Included in the Box" section.

Continue steps as needed for complete assembly.

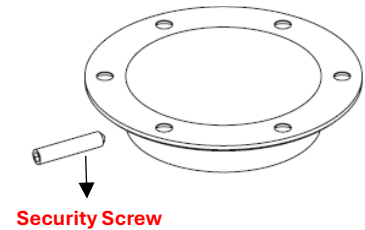
THE ICONIC 900 – HANGING SYSTEM



ICONIC 900 Standard Ceiling Bracket

Fixture of ceiling bracket requires 6 screws.

NOTE: these screws are not provided with the model.



The ICONIC 900 Hanging System:

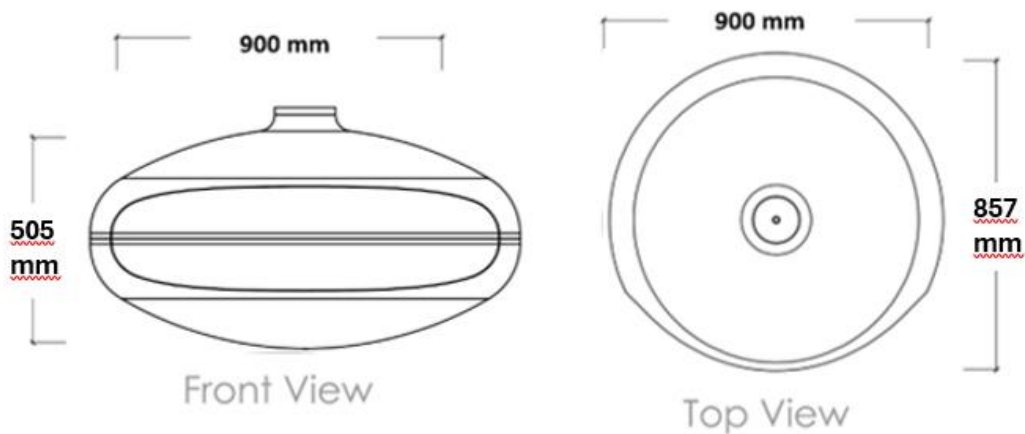
- Standard Ceiling Bracket - optimal for installation on flat ceilings only.
- 360° rotation is available.
- NOTE: the 250 mm Connection Pole with Rotation is not an optional part, and the desired finished length must be made up from a combination of the *sizes available PLUS the compulsory Connection Pole with Rotation.
- The ICONIC 900 Hanging Poles come in fixed lengths so the finished pole length must be made from a combination of the following sizes:
 - 1000 mm
 - 500 mm
 - 250 mm
 - 250 mm Connection Pole with Rotation (not optional)

Additional accessories can be purchased for higher ceilings:

- Extension Pole - 1000 mm
- Extension Pole - 500 mm
- Extension Pole - 250 mm

They simply screw together with the supplied ICONIC 900 Complete Hanging System as per drawing above.

The ICONIC 900 Shell Dimensions



Additional Parts and Tools:

The **Sliding Lid Handle** is used to adjust the intensity of the flame by sliding the Sliding Lid backwards and forwards, and also to extinguish the flame by sliding the Sliding Lid into the closed position.

The **Lifting Handles** are supplied in order to remove the Combustion Chamber. They should never be used while there is still a flame in the Combustion Chamber or at high temperature. Wait 45 minutes after the Combustion chamber has been turned off before using the handles.

We do NOT recommend removing the burner for refilling due to the weight of the burner.
It is ESSENTIAL to ensure the flame is completely extinguished prior to refilling the burner.

5. Operating Instructions

SAFETY & CLEARANCE

Fuel Can with Flame Arrestor

In Australia it is mandatory for all products to be supplied with a Fuel Canister which has a flame arrestor. Icon Fires supplies a fuel cannister with a flame arrestor in the Australian market and EZ Pour spout. We recommend in all markets to use a fuel cannister with a flame arrestor.

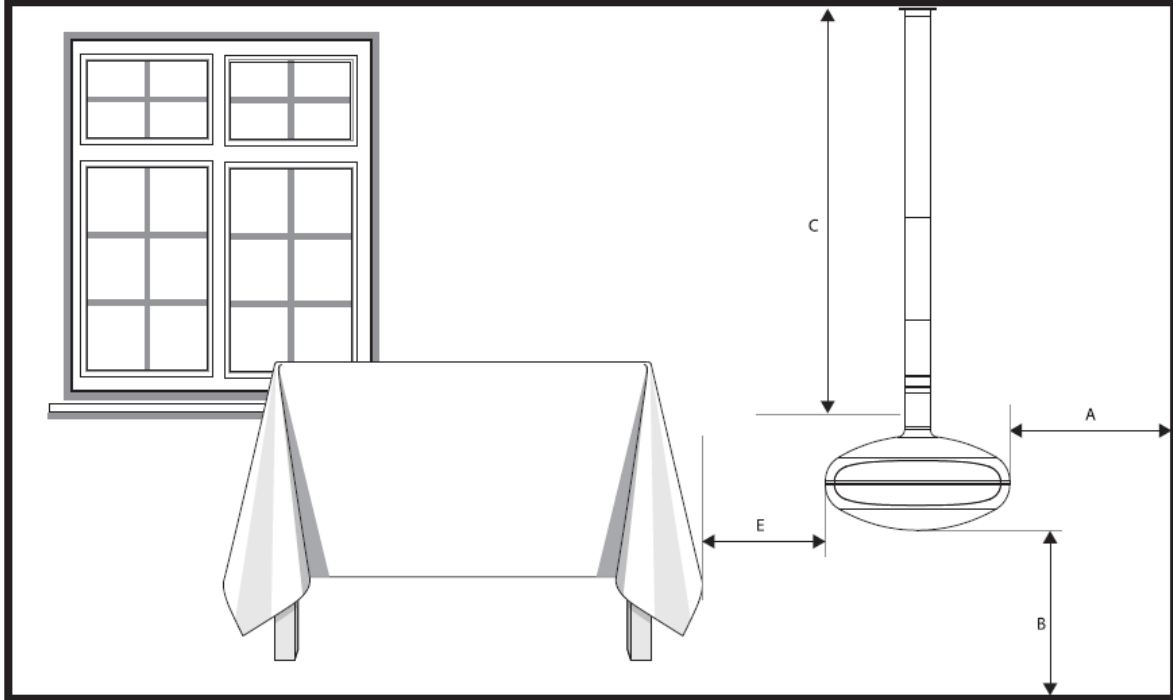
IMPORTANT NOTE

FOR AUSTRALIAN MARKET: FOR FILLING OR REFILLING ALWAYS USE THE FUEL CANNISTER WITH A FLAME ARRESTOR THAT IS PROVIDED WITH AN EZ POUR EXTENSION SYSTEM TO REACH THE BURNER OPENING FOR FILLING.



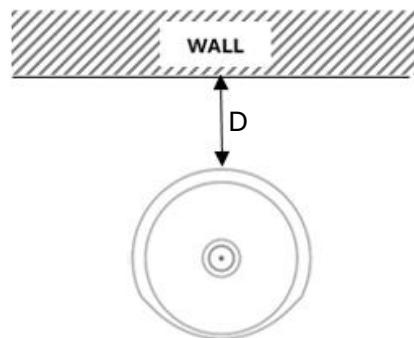
WARNING:

- Aim opening away from flammable objects or surfaces.
- Ceiling mounting surface must be load-bearing and be able to support a minimum mass of 500 kg / 330 lb or more.
- Total product weight is 72 kg.



MINIMUM DISTANCES:

- A - 10 cm - 4 in - min to non-combustible material
- B - 38 cm - 15 in - min
- C - 100 cm - 40 in - min
- D - 10 cm - 4 in - min to non-combustible wall
- E - 100 cm - 40 in - min distance to combustible items



Chiminea ↑ Opening, ensure no combustible materials within 1 meter of opening!

NOTE: IN ALL CASES, THE ICONIC 900 MUST:

- be installed onto load bearing material ONLY;
- be installed in low traffic areas to avoid injury to persons moving around and to avoid the ICONIC 900 being bumped which may cause fuel to spill.
- have all gas connections or pipelines near ICONIC 900 installation must be disconnected and made safe by an appropriately qualified professional prior to installation;
- be installed onto a load bearing, level and secure position before filling, lighting and operating;
- NOT be installed directly beside or near wallpaper, laminate, veneer or any surface that has not been fire rated and considered combustible.
- A minimum of 1000 mm (1 meter) radius to any combustible material.
- NOT be within the reach of any objects that are not fixed in position and can be moved by the wind or bumped over easily i.e. curtains, blankets, newspapers etc.
- In Australia is it mandatory for all products to be supplied with a Fuel Canister which has a flame arrestor. Icon Fires supplies a fuel cannister with a flame arrestor in the Australian market. We recommend in all markets to use a fuel cannister with a flame arrestor.

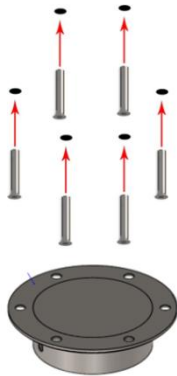
IMPORTANT!

- **KEEP HANDY A CLASS ABE FIRE EXTINGUISHER!**
- **USE CORRECT FUEL – BIOETHANOL**
- **FUEL IS TO BE STORED IN A FIRE SAFE AREA AND IS TO BE DONE IN ACCORDANCE WITH NATIONAL AND/OR REGIONAL REGULATIONS.**

MINIMUM ROOM SIZE 90 m3

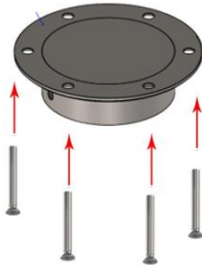
THE ICONIC 900 HANGING SYSTEM - INSTALLATION

NOTE: The Iconic may only be fitted onto a load bearing surface that can handle 500KG or more. All fixings must be metal. When selecting your fixings, please consult the relevant Health and Safety regulations, as well as the relevant National Building Regulations set forward by the governing bodies of the country in which the installation is to occur.



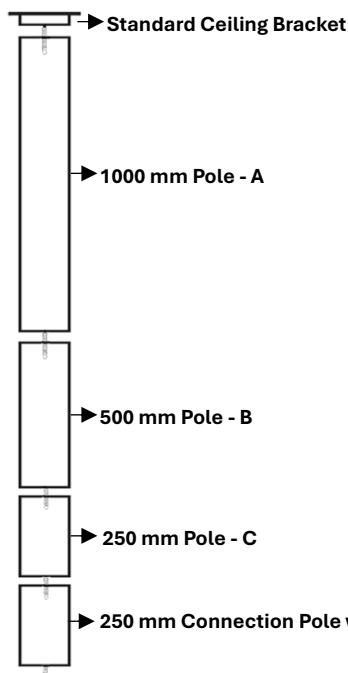
STEP 1

Mark and drill 6 holes into the load bearing surface and insert the corresponding metal anchor dowels into the holes (anchor dowels are not provided). The holes in The Iconic Standard Ceiling Bracket are **Ø180 mm**.



STEP 2

Secure the ICONIC Standard Ceiling Base to the load bearing surface using steel screws or bolts, depending on the structure it is being secured to (anchor dowels are not provided). The holes in the ICONIC Standard Ceiling Base are **Ø180 mm**.



STEP 3

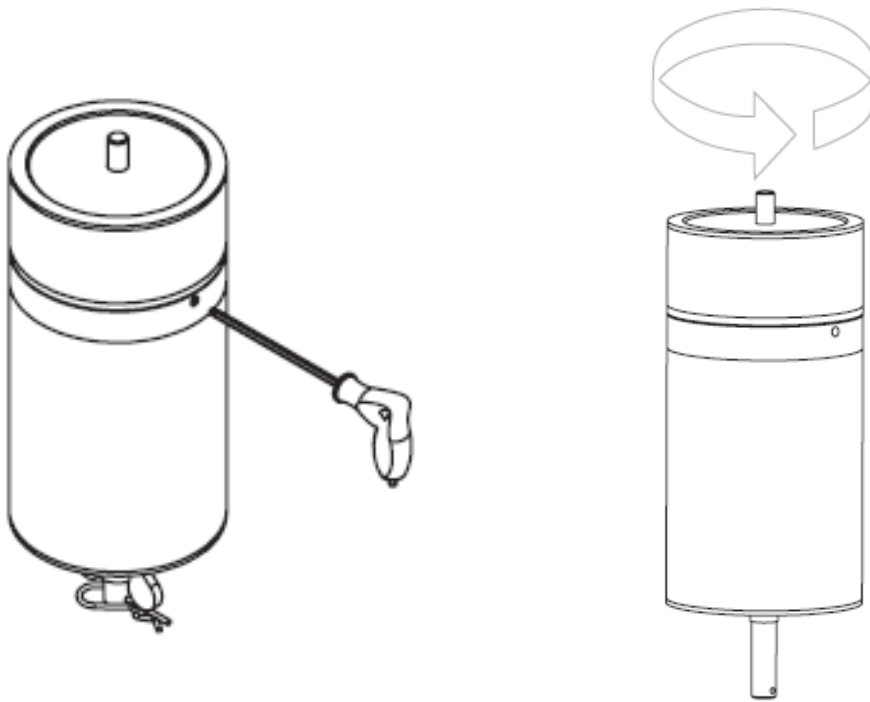
Standard Ceiling Bracket connects with Hanging System Pole (A) by screwing the pieces together. Screw in Extension Pole (A) into the corresponding threaded hole in Hanging System Pole (B) and continue in the same manner connecting Hanging System Poles (B),(C) and (D) as per drawing.

NOTE: Any combination of (A), (B) and (C) can be used to achieve the required height. It is not mandatory to use (A), (B) and (C) poles if their length is not required.

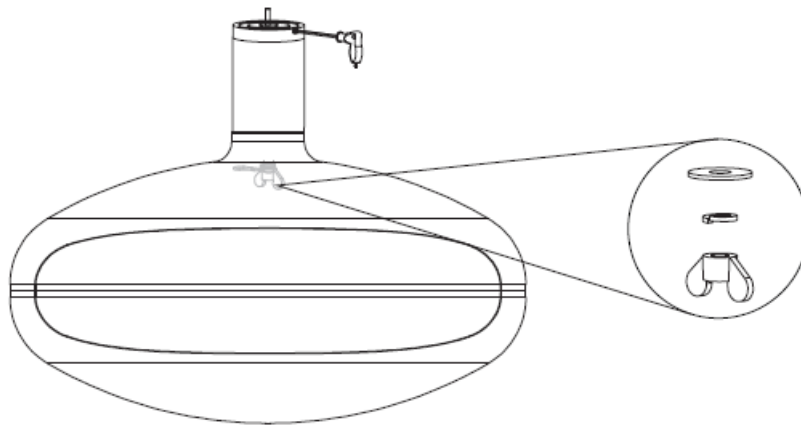
STEP 4

The finished height of the ICONIC Hanging System is made up of a combination of the Standard Ceiling Bracket and Hanging System Poles. The Connection Pole with Rotation Part (D) is **NOT OPTIONAL** and must be connected to the ICONIC Shell with the washer, hex nut and wing nut supplied.

THE ICONIC 900 CONNECTION WITH ROTATION



When assembling the ICONIC 900 Shell to the ICONIC 900 Hanging System, the connection tube should be connected to the ICONIC Shell first. This will allow the ICONIC 900 Rotation device to screw into the remaining Hanging System.



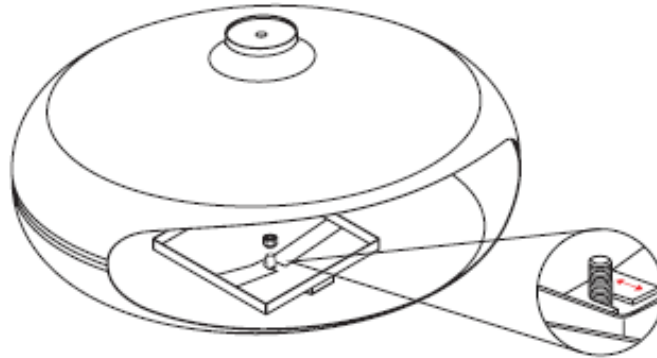
Position the ICONIC 900 Connection-Rotation Part's threaded end onto the ICONIC Shell and secure from inside with first the washer, then the hex nut and finally the wing type nut.

NOTE: The wing type nut is a security lock for yours and the safety of others.

THE ICONIC 900 SHELL AND BURNER - INSTALLATION & ADJUSTMENTS

Position the Removable Tray Bracket over the threaded stud at the base of the ICONIC Shell and adjust according to the instructions on the following page before securing with hex nut.

NOTE: adjustment instructions on the following page are critical to proper functioning of the Combustion Chamber.

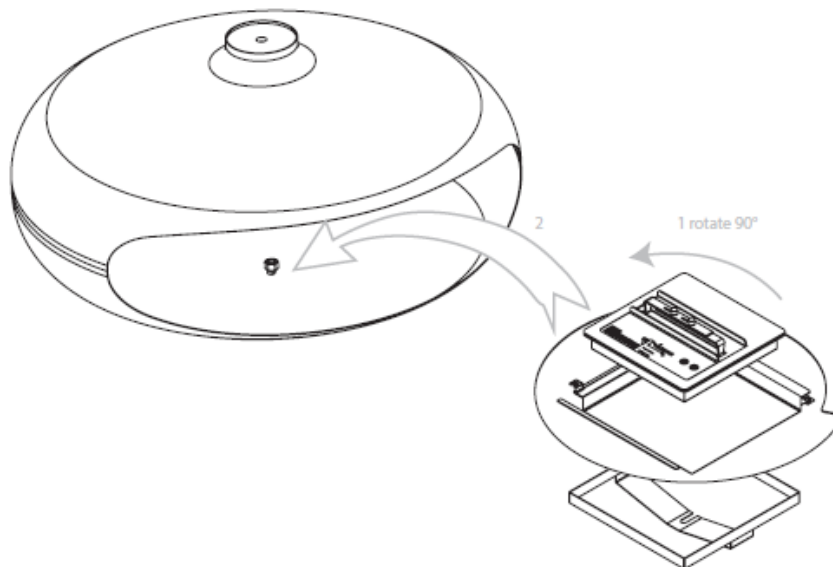


With the Removable Tray Bracket and hex type nut loosely in place, adjust the Removable Tray Bracket backwards or forwards so that the front edge of the Burner Mounting Plate sits just below the front bottom lip of the opening in the ICONIC Shell. Once this adjustment is done, then tighten the hex nut to secure the Removable Tray Bracket in place.

NOTE: adjustment instructions are critical to the airflow inside the ICONIC Shell and therefore critical to the proper functioning of the Combustion Chamber. By finely adjusting the Removable Tray Bracket backward and forward allows for the necessary adjustment in height of the Burner Mounting Plate.

NOTE: the front edge of the Burner Mounting Plate must be just below the front bottom lip of the opening in the ICONIC 900 Shell.

NOTE: every time you fill the Combustion Chamber, this safety tank should be checked for residual fuel to ensure that there is no fuel leaking from the Fuel Tank.



With the Burner Mounting Plate in the correct position and secured in place with the hex nut, the Combustion Chamber can now be placed inside.

Additional Parts and Tools:

The **Sliding Lid Handle** is used to adjust the intensity of the flame by sliding the Sliding Lid backwards and forwards, and also to extinguish the flame by sliding the Sliding Lid into the closed position.

The **Lifting Handles** are supplied in order to remove the Combustion Chamber. They should never be used while there is still a flame in the Combustion Chamber or at high temperature. Wait 45 minutes after the Combustion chamber has been turned off before using the handles.

The ICONIC 900 COMBUSTION CHAMBER (BURNER)

NOTE: Overfilling will cause the apparatus to burn at higher temperature rates resulting in the apparatus being difficult to turn off.

In Australia it is mandatory for all products to be supplied with a Fuel Canister which has a flame arrestor.

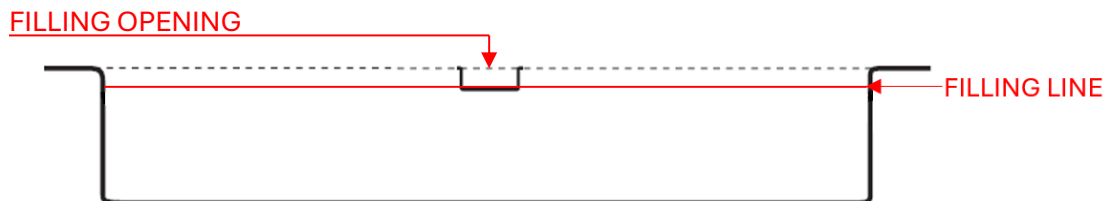
Icon Fires supplies a fuel cannister with a flame arrestor in the Australian market.
We recommend in all markets to use a fuel cannister with a flame arrestor.



**DO NOT FILL
WHILE OPERATING !**



**DO NOT FILL
WHEN HOT !**



Fuel Capacity	Thermal Output kW	Heats on Average	Consumption	Burning Time
6.5 L	5.5 kW/h	70m ²	0.6 L/H	Up to 10 Hours

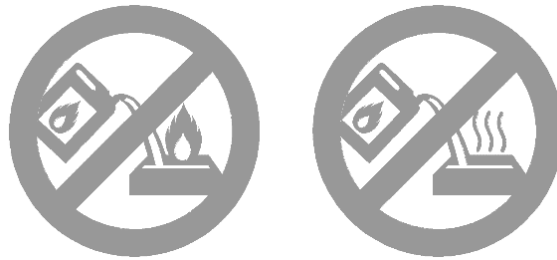
Fill up to the **FILL LINE** as indicated in red with no more than **6.5 L** of fuel (up to 10 hrs burning time).
After filling is done, wipe away any spilled or excess fuel.

NOTE: after filling the Combustion Chamber, place the fuel dispenser used to fill it with and any other forms of fuel or combustible items at a safe distance away before proceeding to start the fireplace.

PROCEDURE IF BURNER IS OVERFILLED:

In case of accidental overfilling of the Fuel Tank, follow these steps:

- NEVER ignite the Combustion Chamber if it is filled past the FILLING LINE shown above. Remove the Combustion Chamber from the Chimenea, using the lifting Handles.
- Empty the excess fuel into a suitable container.
- Wipe off all excess fuel that may have dripped on the outside of the Combustion Chamber during emptying and allow any residual fuel to evaporate. Leave for 1 hour.
- Place the Combustion Chamber back into Chimenea.
- Ignite the Combustion Chamber only once all residual fuel outside the Combustion Chamber has completely evaporated and the container used to fill it has been sealed and moved to a safe distance from the Combustion Chamber.



IGNITING THE COMBUSTION CHAMBER

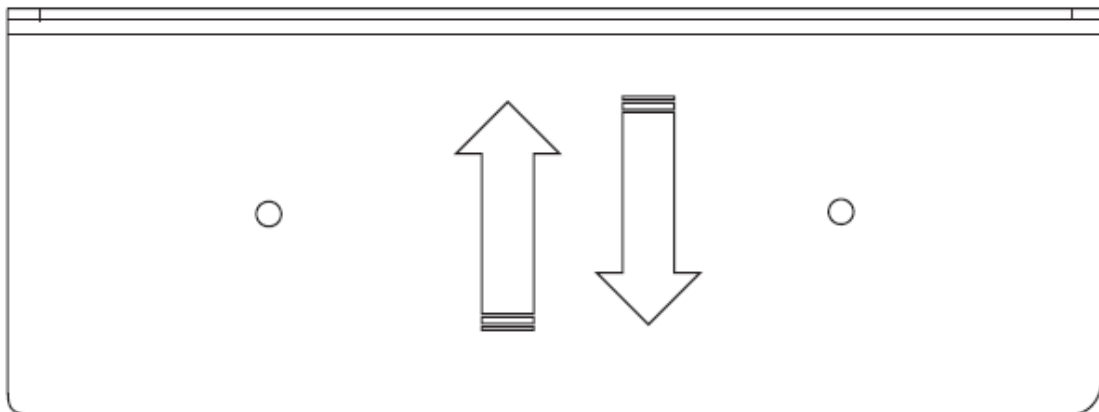
Once all spilled or residual fuel has been wiped clean, and all other forms of fuel have been sealed and moved to a safe distance from the Combustion Chamber, and the Combustion Chamber has been placed back inside the Chimenea as indicated above, it is safe to consider igniting the Combustion Chamber.

Using a long arm fire lighter and standing at a safe distance from the Combustion Chamber carefully introduce a flame as indicated above to ignite the Combustion Chamber.

Always make sure there is a Class ABE fire extinguisher close at hand when igniting the Combustion Chamber.

REGULATING AND EXTINGUISHING THE FLAME

To regulate the flame, insert the tips of the Sliding Lid Handle into the holes of the Sliding Lid of the Combustion Chamber and slide backwards or forwards to regulate the flame size.



To extinguish the flame, insert the tips of the Sliding Lid Handle into the holes of the Sliding Lid of the Combustion Chamber and slide all the way forward until the flame is extinguished. Should the flame not extinguish with the first try please repeat until extinguished. **It should be a swift action coupled with downward pressure.**

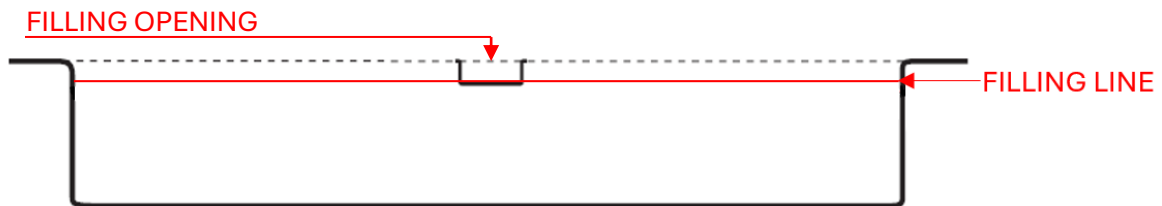
TO REFILL THE COMBUSTION CHAMBER

NEVER REFILL OR IGNITE THE COMBUSTION CHAMBER WHEN IT IS IN A HOT STATE !

When refilling the Combustion Chamber, simply follow the same procedure indicated in the section headed “OPERATING THE ICON BURNER” taking note of the CAUTION and WARNING on this page.

It is critical to the proper functioning of the Combustion Chamber that you do not overfill the fuel tank as indicated before.

**We do NOT recommend removing the burner for refilling due to the weight of the burner.
It is ESSENTIAL to ensure the flame is completely extinguished prior to refilling the burner.**



CAUTION

To refill wait at least 45 minutes for the burner to cool down after the flame has turned off.
To fill remove Combustion Chamber from ICONIC Shell and pour fuel inside.
Fill up to fill line with a maximum of 6.5 liters.

6. Maintenance and Care

1. **Regular Cleaning:** Wipe the product with a dry cloth only. NO chemicals or moisture should be used with the black painted surface.
2. **Storage:** Store in a cool, dry place when not in use.
3. **Coastal Areas:** The ICONIC 900 Shell is made from mild steel painted with a heat and rust protective paint. IT IS IMPORANT TO NOTE that close proximity to sea and salt could affect the performance of the painted surface.

IMPORTANT: The Matte Black ICONIC900 are designed for indoor use only.

1. Periodic cleaning of unvented decorative appliance combustion surfaces is recommended as per section called TROUBLESHOOTING & OPERATIONAL TIPS.
2. Checking operation of Sliding Lid shutoff device should be done regularly.
3. Make sure the Sliding Lid from the Combustion Chamber slides correctly, smoothly, and fully every time before igniting the Combustion Chamber.

Cleaning

Make sure the fireplace has cooled completely before cleaning!

To clean dust, wipe with a dry cloth. **It is very important never to use a damp cloth or any liquid to clean.**

7. Troubleshooting

- The first fill will take longer as the material inside the Fuel Tank will absorb the fuel. Subsequent filling should be quicker. Take care to not fill the Combustion Chamber at a faster rate than what the material inside can absorb the fuel.
- If the fire does not extinguish the first time by closing the Sliding Lid follow these steps and repeat if necessary.
- Check that the surface below the Sliding Lid is clean and free from obstruction.
- Using the Sliding Lid Handle, apply downward force and in one quick motion move the Sliding Lid towards the closed position. If the flame is still visible repeat this step as a double motion still applying strong downward force in quick succession.
- Never blow on the flame whilst the Sliding Lid is in an open position.
- If after some time you find the Sliding Lid has become 'sticky' when attempting to move it then remove the Sliding Lid from its housing and rub the underside using the green side of a Scotch Bright scouring pad. Take care to only scrub in the direction of the brushing lines of the stainless steel.
- Make sure you keep your Combustion Chamber clean especially the surface that the Sliding Lid slides on and ensure that any excess fuel on the surface of the Combustion Chamber is wiped off before use.
- In Australia it is mandatory for all products to be supplied with a Fuel Canister which has a flame arrestor. Icon Fires supplies a fuel canister with a flame arrestor in the Australian market. We recommend in all markets to use a fuel canister with a flame arrestor.

MAKE SURE THAT ALL PARTS HAVE COOLED OFF COMPLETELY BEFORE CLEANING:

- To clean dust, wipe with a dry cloth or non-abrasive sponge.
- Make sure the Sliding Lid for the Combustion Chamber slides correctly and fully after cleaning and that any excess cleaning product has been wiped off completely.

8. Warranty Information

Icon Fires Warranty Terms and Conditions

1. All warranty claims are subject to manufacturer's review and acceptance.
2. Icon Fires warrants that it uses reasonable care and skill to ensure that its products are of reasonable quality. Icon Fires will at its cost and in its sole discretion: (i) remedy any defect or fault in any product purchased; or (ii) replace any product in respect of which there is a defect or fault, during the warranty period, provided that written notice is given by the Purchaser to Icon Fires of any such defect or fault in the product as soon as the Purchaser becomes aware of that fault or defect. All warranty claims must be returned to Icon Fires for assessment with a receipt or other proof of payment. No warranty is given in respect of any glass contained in any product.
3. Icon Fires has no liability to remedy any defect in a product or replace a product where the defect or fault is caused or contributed to by (i) the failure of the Purchaser to install the product according to specific installation instructions either supplied within each product box or carton or available on the Icon Fires website or through the retailer representative; or (ii) use of the product in a manner or for a purpose for which it was not designed.
4. All site application or installation must reflect these procedures otherwise the product warranty will be considered void or will not take effect.

All products bearing the logo of Icon Fires logo is covered by a 2-year warranty.

IMPORTANT:

- **Stone chipping, painting scratches and general scratches are not covered by the Warranty.**
- **The Warranty does not cover any oxidisation of material and/or the occurrence of patina.**

9. Customer Support

For assistance, please contact customer support at:

- **Email:** info@iconfires.com
 - **Website:** www.iconfires.com
-

ICON  FIRES