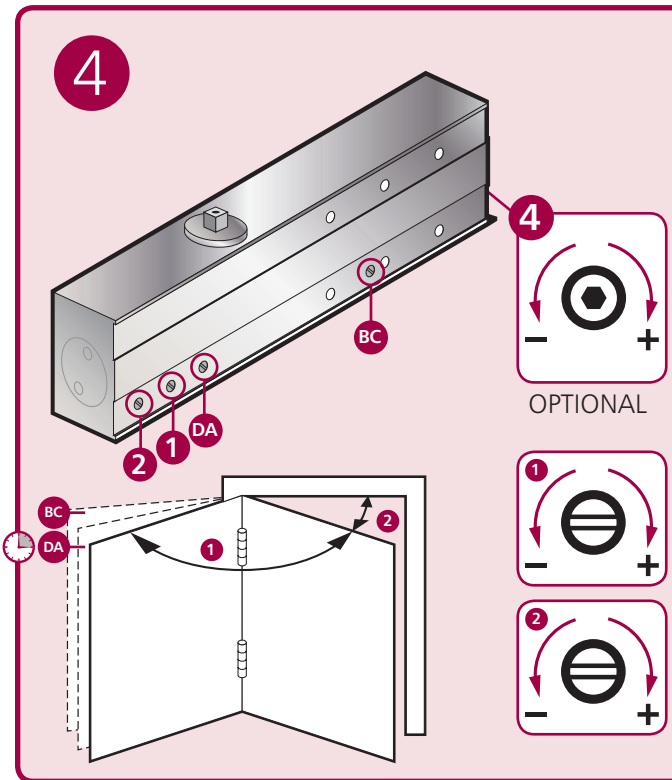
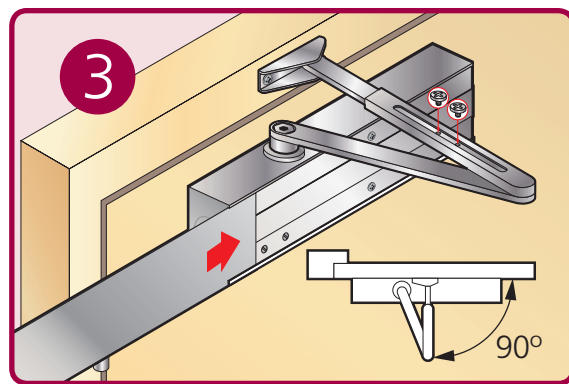
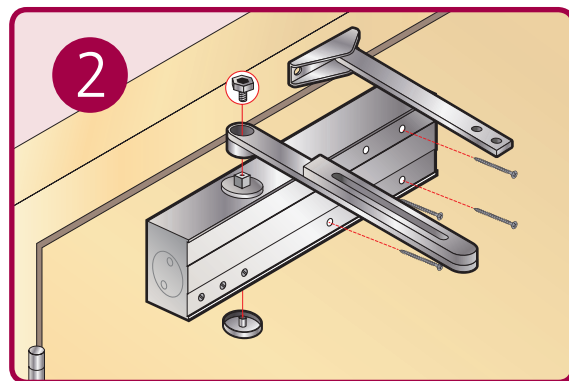
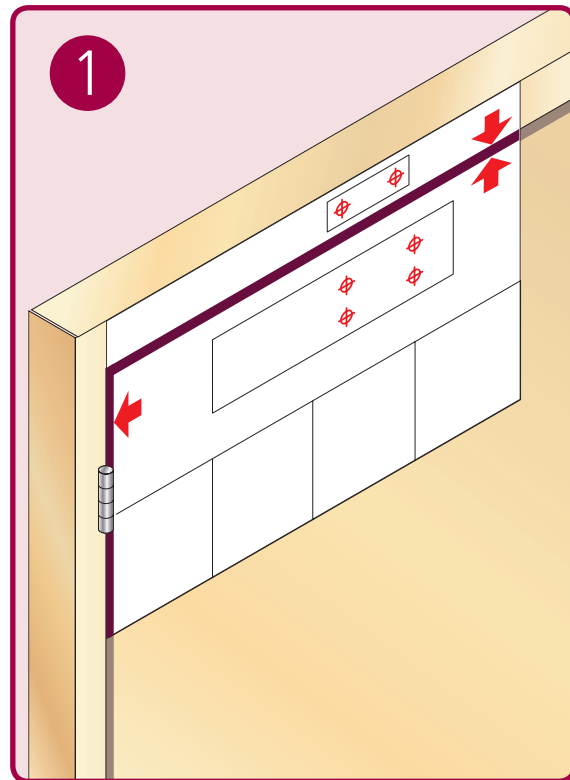
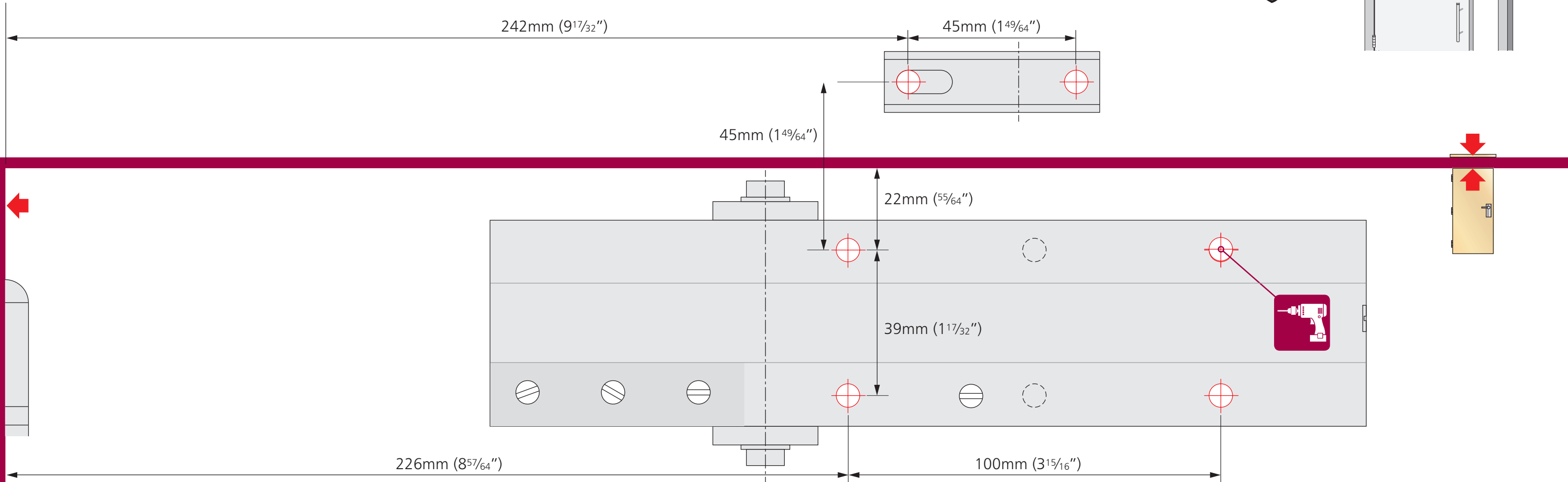
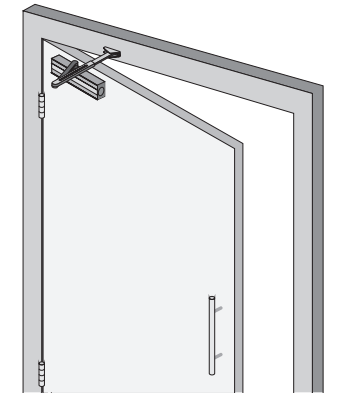
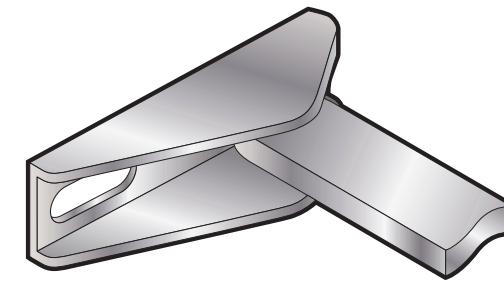




# Standard Arm Closer TS9205

CE 95.1  
1121  
BS EN 1154  
4 8  $\frac{5}{2}$  1 1 3



### EN 2-5 Power Adjustment

4	EN Size	Max. door width	Max. opening angle
-5	2	850mm	180°
*0	3	950mm	180°
+5	4	1100mm	180°
+9	5	1250mm	110°

\* FACTORY PRE-SET

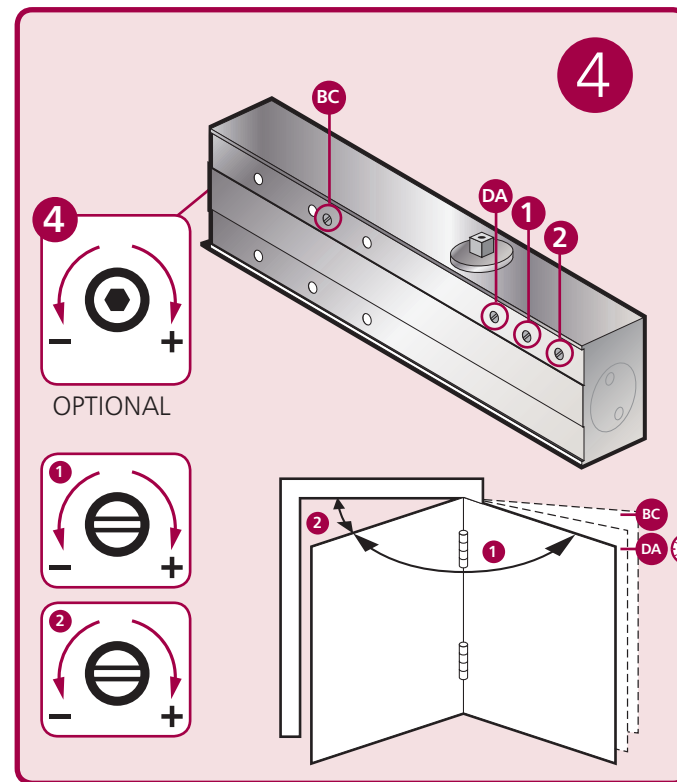
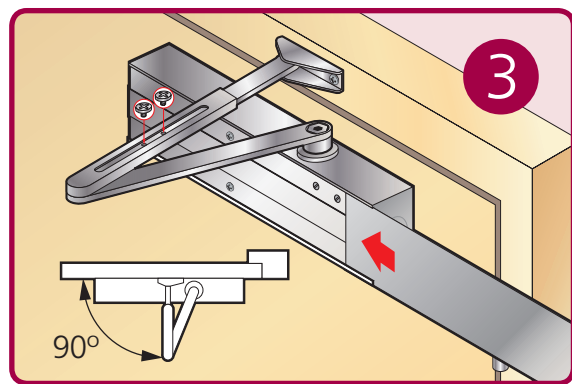
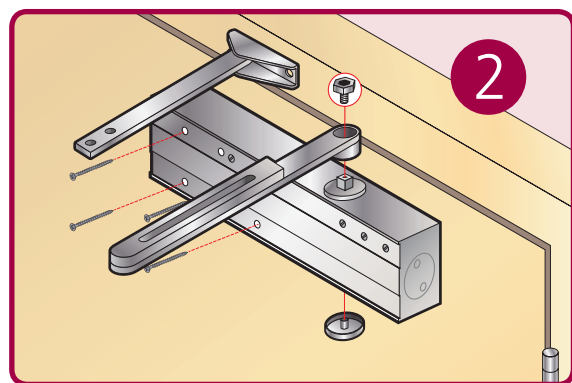
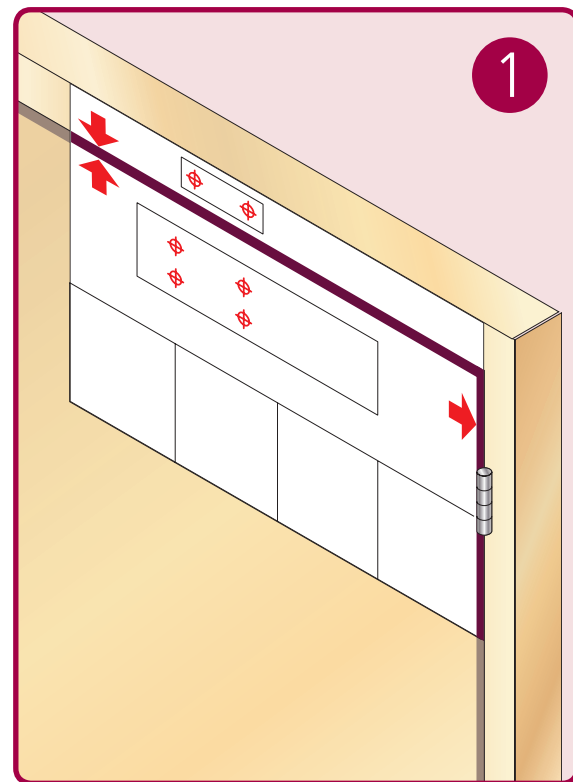
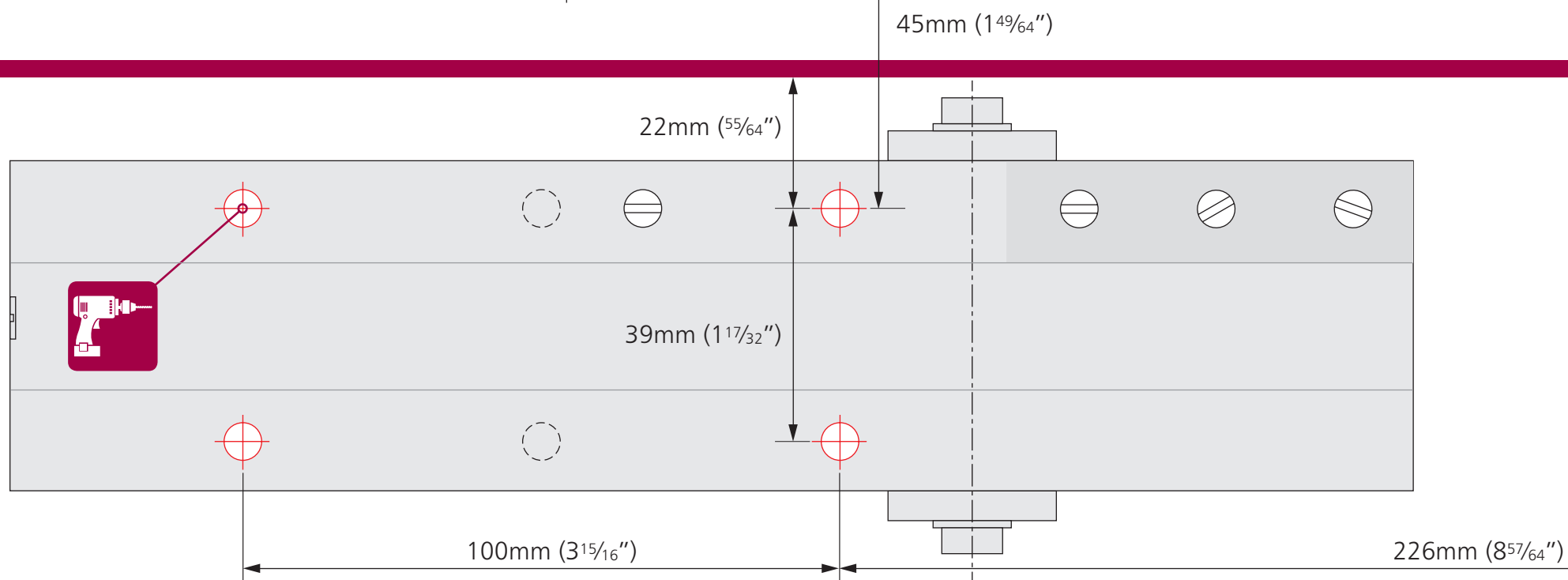
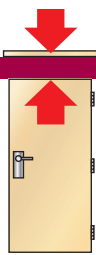
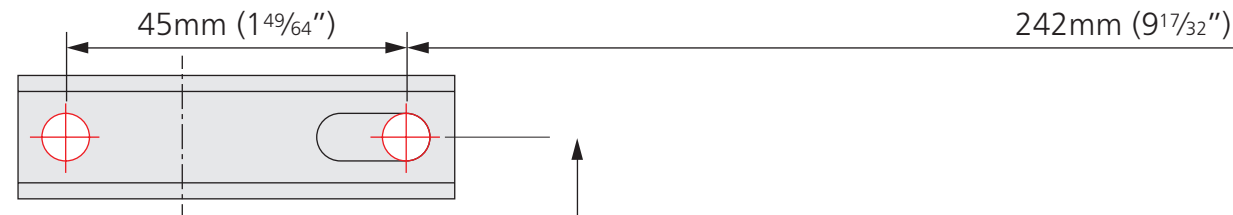
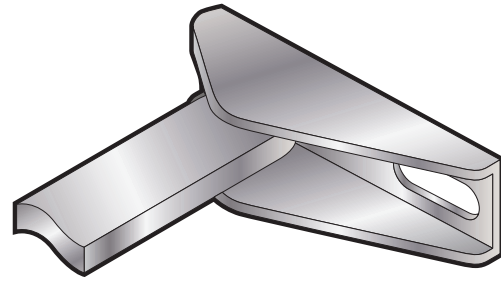
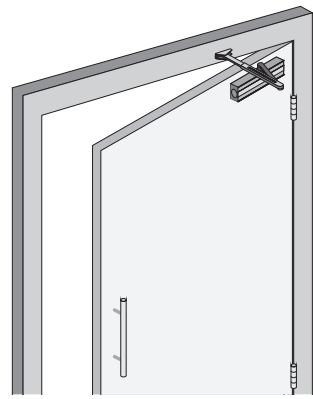
THE PINION BOLT MUST BE TIGHTENED TO 12NM

NO PART OF THIS INSTRUCTION CAN BE COPIED OR STORED IN ANY WAY OR FORM MANUALLY OR ELECTRONICALLY WITHOUT THE FULL PERMISSION OF RUTLAND



# Standard Arm Closer TS9205

95.1  
CE  
1121  
BS EN 1154  
4 8  $\frac{5}{2}$  1 1 3



## EN 2-5 Power Adjustment

No. of turns	EN Size	Max. door width	Max. opening angle
-5	2	850mm	180°
*0	3	950mm	180°
+5	4	1100mm	180°
+9	5	1250mm	110°

\* FACTORY PRE-SET

THE PINION BOLT MUST BE TIGHTENED TO 12NM

NO PART OF THIS INSTRUCTION CAN BE COPIED OR STORED IN ANY WAY OR FORM MANUALLY OR ELECTRONICALLY WITHOUT THE FULL PERMISSION OF RUTLAND