

# Smart Lock

User Manual

59405

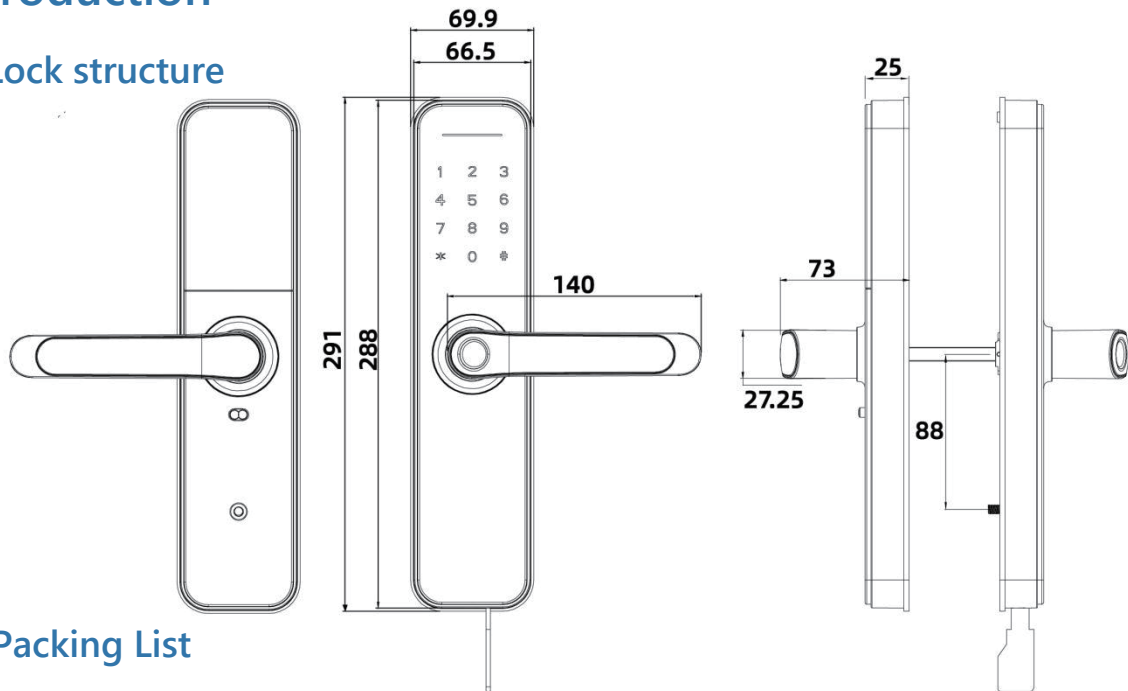


## Special Attention:

1. Mechanical keys please keep outdoor, just in case keys lock in doors.
2. Please replace for the battery when low wattage alarm.
3. Reading this manual carefully before installation, and keep it for future reference.

# 1. Introduction

## 1.1.Lock structure



## 1.2.Packing List

💡 Check the following drawing to check whether the package contains all the parts

NO	Name	Qty	NO.	Name	Qty
1	Front Panel	1	10	Mortise Screws:M5*10mm (For Aluminum Door)	4
2	Back Panel	1	11	Mortise Screws:M4*20mm (For Wooden Door)	5
3	Mortise	1	12	60mm Square shaft	1
4	Card	3	13	80mm Square shaft	1
5	Mechanical Key	2	14	M5*25mm Screw	1
6	Waterproof Rubber Plate	2	15	M5*40mm Screw	1
7	Screw Stubs:M5*35mm	2	16	M5*50mm Screw	1
8	Strike&Strike Box	1+1	17	User Manual	1
9	Sliding Screws:M5*11mm	1	18	U-Clip	1

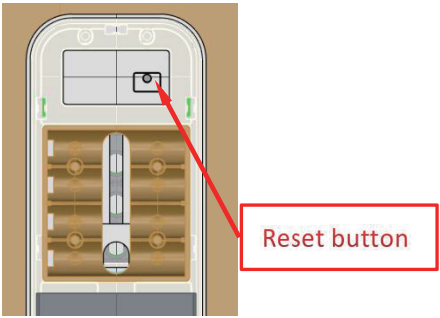
### 1.3.Specifications

Suitable for Models	59405	Doors Applicable	Aluminum door Wooden door
Materials	Aluminum alloy	Working Voltage	6V/4x AA Batteries
Lock Weight	3KG	Door Thickness to Fit	35-65mm
Unlocking Way	Bluetooth Fingerprint(option) Password Card Mechanical key Gateway(option)	Data Capacity	Fingerprint: 200 Password: 150 Card: 200
Color	Silver Black	Working Temperature	-10°C-55°C
Low Wattage Alarm	Less than 4.8V	Working Humidity	0-95%

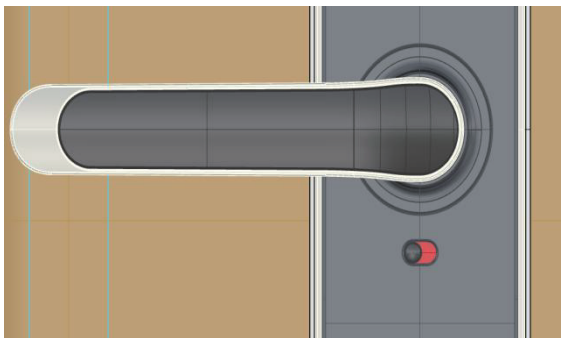
- Introduction
- Installation
- Operation
- F&Q
- Appendix

### 1.4.System Initialization

Open the cover plate of the front panel ,long press the "Reset" button on the back panel for 5s, press "000#",and the initialization is complete



### 1.5.Electronic Locking Button



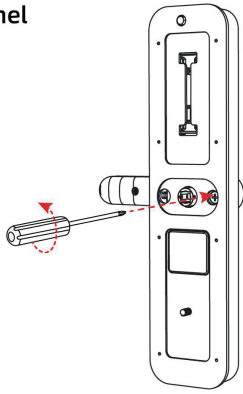
1.If you want to have the Electronic Locking function, first turn on "privacy lock" on the app  
 2.When the button is in the red state, it is in the locked state and can only be unlocked through the administrator app or mechanical key.

## 2.Installation

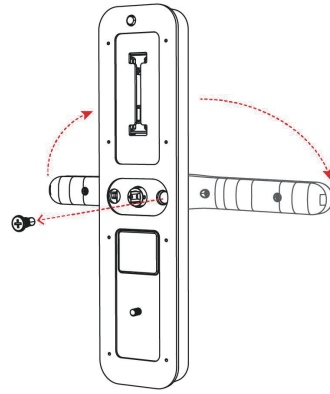
### 2.1Turn the handle

**Notice:** Adjust the handle according to the direction you open the door.

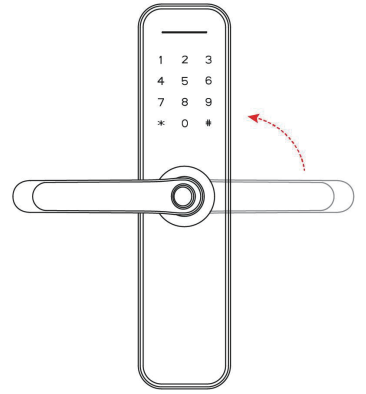
For Pront Panel



1. Loosen the four screws

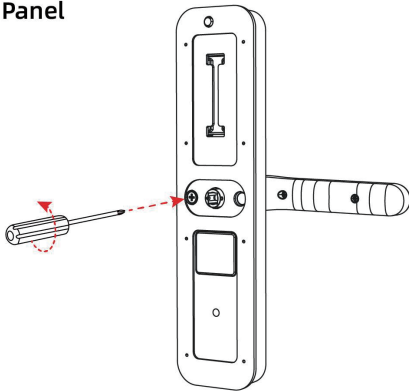


2. Left Open the Handle Toword the Left;  
Right Open the Handle Toword the Right.

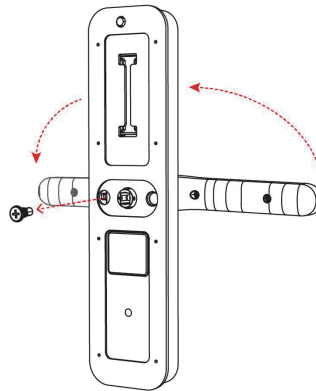


3.Reinstall the Screw After  
Adjusting the Direction

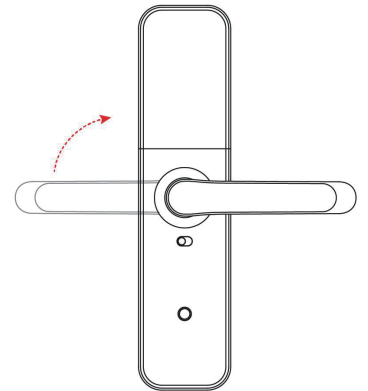
For Back Panel



1. Loosen screws

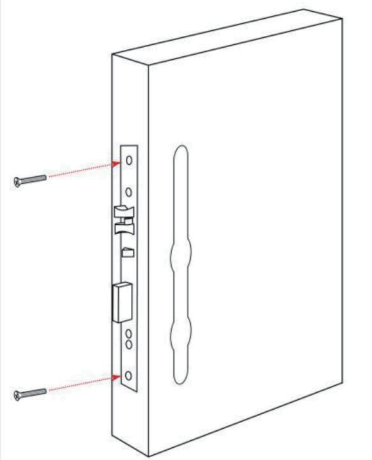
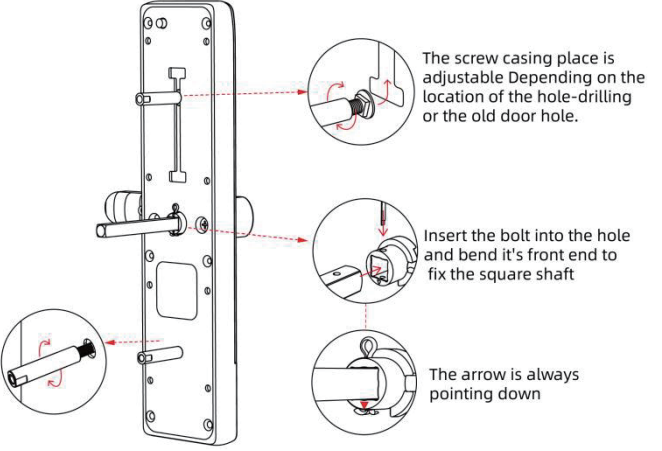
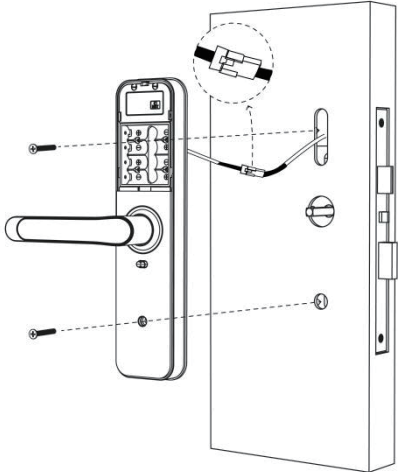
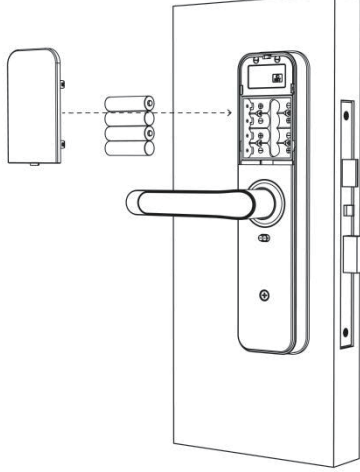
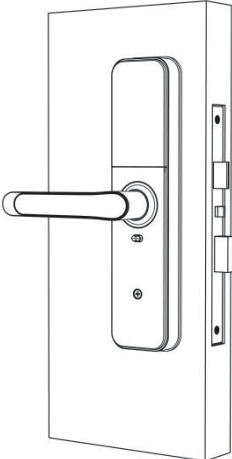


2.Left Open the Handle Toword the Right ;  
Right Open the Handle Toword the Left.



3.Reinstall the Screw After  
Adjusting the Direction

## 2.2. Installation Diagram(For 5572)

<p><b>Step 1 Install Mortise</b></p>	<p><b>Step 2 Install Sliding Screw Casing</b></p>
	
<p><b>Step 3 Install Back Panel and link wire</b></p>	<p><b>Step 4 Install fixing screws</b></p>
	
<p><b>Step 5 installation complete</b></p>	
	

## 3.Operation

### 3.1.Registration



The software (iOS version) can be downloaded from the app store, and the Android version can be downloaded from the application store of Google play, Yingyongbao, Baidu, Ali, 360, Huawei, and Xiaomi.

### 3.2. Connect lock to the phone

- 1) please scan the QR code to download the app
- 2) You can also search for TTLock in the APP store(Google Play)to download
- 4) Register a new account (phone number or email) or login with an existing account.
- 5) Touch the lock screen to light, click "+ Add Lock"
- 6) The lock nearby will appear on the phone screen, Click "+"
- 7) Re-name the lock
- 8) The lock added successfully

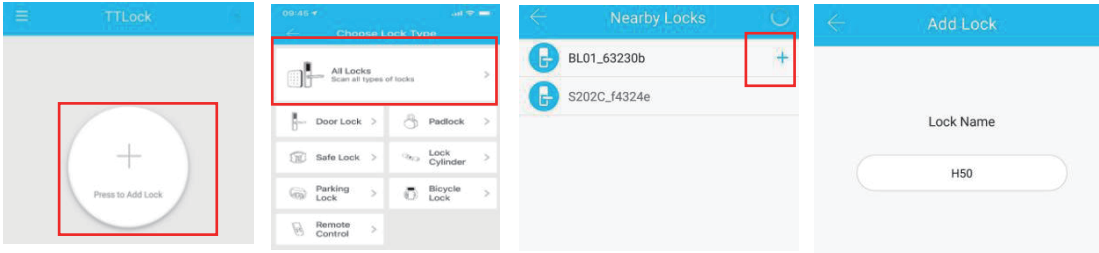
Two screenshots of the TTLock mobile application interface. The left screenshot shows the 'Register' screen with options for 'Phone' and 'Email', a country/region dropdown set to 'American Samoa+1684', and input fields for 'Enter your Phone number', 'Password between 6-20 chars', and 'Confirm Password'. There is also a 'Verification Code' field with a 'Get Code' button and a 'Register' button at the bottom. The right screenshot shows the 'Login' screen with a 'Login' button and a 'Forgot Password?' link.

TTlock users can register the account by mobile phone and Email which currently support 200 countries and regions on the world. The verification code will be sent to user's mobile phone or email, and the registration will be successful after the verification.

### 3.3.Add locks

#### 3.3.1 Add locks By Bluetooth

TTLock supports multiple types of lock devices. The lock needs to be added by the app after entering the add mode. Generally, a lock that has not been added, as long as the lock keyboard is touched, it will enter the add mode. The default password is 123456 if not added by the phone



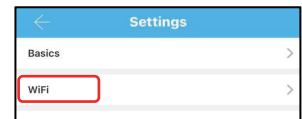
#### 3.3.2 Connect WiFi

There are two ways to connect the lock with your WiFi.

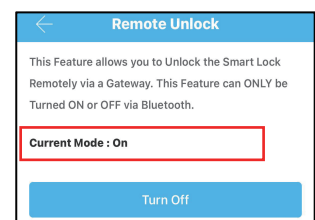
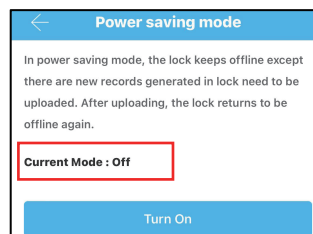
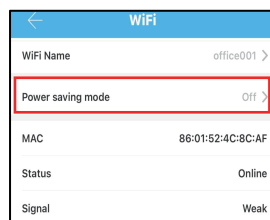
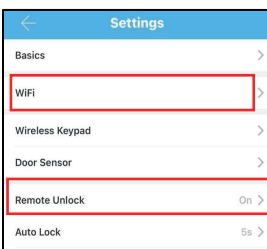
1. When you connect to the lock through the APP, you can choose to connect on 2.4G WIFI what you need.



2. Click on the "Settings" icon as shown in figure, you can set up the WiFi setting → Select "WiFi" → Click on the WiFi Name, chose the 2.4Gz WiFi what you need. (If you need to change your WiFi, this step will help you.)




Make sure turn off the "Power saving mode" and turn on the "Remote Unlock" , before you use the WiFi to unlock.



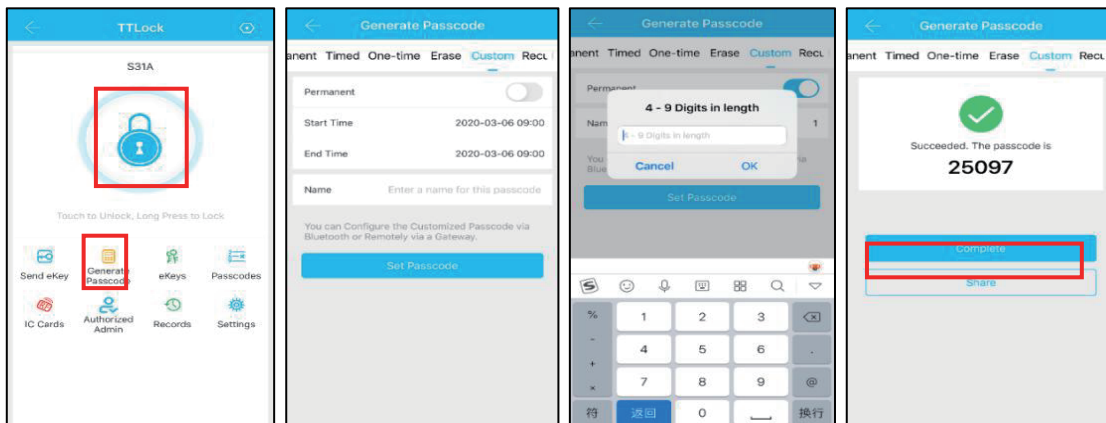
## 3.4. User Management

### 3.4.1. Bluetooth management


Make sure there is no problem with Bluetooth communication. After connecting the phone to the door lock as above, Click "  "to unlock.(the phone is within 5meters from the door lock)

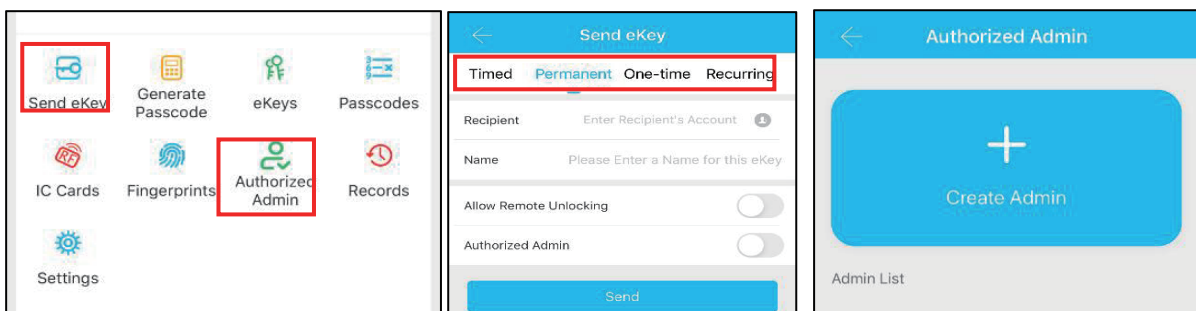
### 3.4.2. Setting Passcode

Passcodes are also a way to unlock. After entering the passcode on the locked keyboard, press the unlock button in the lower right corner to unlock. Passcodes are divided into permanent, time-limited, single, clear, cycle, and custom.(You can share the Passcode to other user via WeChat, SMS, Email, Messenger, WhatsApp)



### 3.4.3. Send e-Key

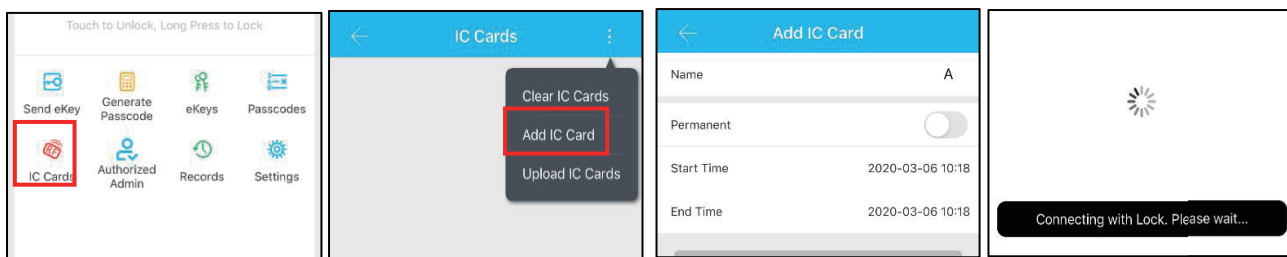
Click on the "  " as shown in figure, you can send the eKey to other users of TTlock to authorize the unlock(the receiver must be download the APP and set up an account)→ Select e-key format (Timed, permanent, One-time, Recurring) → Enter recipient's account of TTlock,set the name and effective time of the eKey, Can choose to allow remote unlocking or disallowing, authorized administrator or not authorized, as shown in figure →Send→The recipient's account has Bluetooth unlock permission





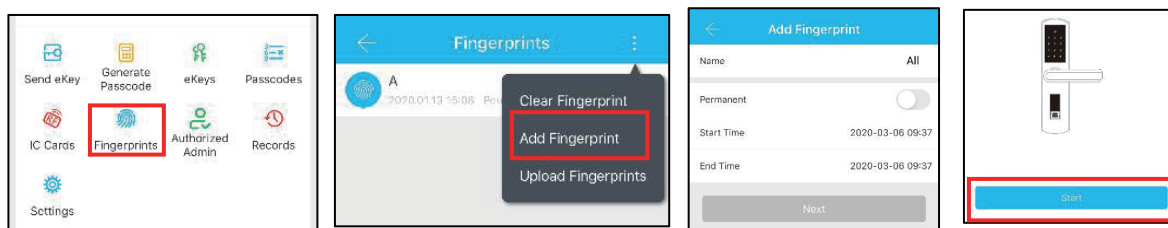
### 3.4.4. Add card

Supports opening doors through various IC cards. Before an IC card is used to open the door, it needs to be added first. The adding process needs to be performed by the app beside the lock. The validity period of the IC can be set, it can be permanent, or it can be limited in time.




### 3.4.5. Add fingerprint


The premise that a fingerprint can be used to open a door is that it needs to be added first. The adding process needs to be performed by the APP beside the lock. The fingerprint expiration data can be set, it can be permanent, or it can be limited. After setting, you can modify its validity period.




### 3.4.6. e-Key management

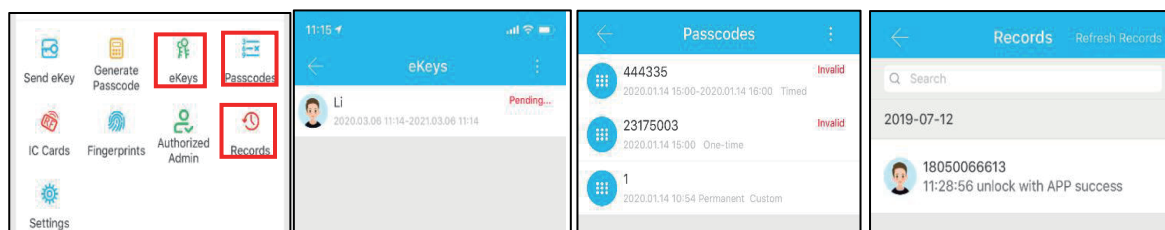
Click "  " The manager can delete ekey, reset ekey, send and adjust the ekey, meanwhile he can search the lock record.

### 3.4.7. Passcode management

Click "  ". All generated passwords can be viewed and managed in the password management module. This includes a password change, password deletion, password reset, and password unlock record.

### 3.4.8. Unlock records

Click "  " you can query your unlock record as shown in figure



## 3.5. Gateway management(Optional)

The TT lock is directly connected via Bluetooth, that is why it is not attacked by the network. The gateway is a bridge between smart locks and home WIFI networks. Through the gateway, the user can remotely view and calibrate the lock clock, read the unlock record. Meanwhile, it can remotely delete and modify the password.

### 3.5.1. Add Gateway

#### Light Status

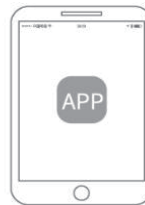


When the gateway is powered on:

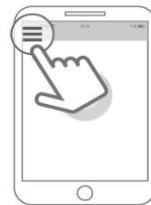
- Light flashes alternately in red and blue: Stand-by mode, ready for pairing
- Blue light: Working mode
- Red light: Network failure

#### Pair the Gateway with APP

1 Activate the APP



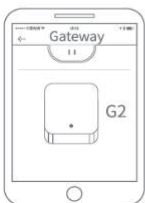
2 Press "☰"



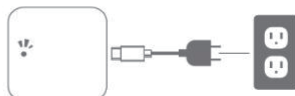
3 Select [Gateway]



4 Select [G2]



5 Plug in the gateway and power it on, while the light flashes alternately in red and blue



6 Press "+" sign



7 Add Gateway



8 Select the network and fill in the password



9 Add complete

⚠ Notice: If times out, please power off and try it again.

### 3.5.2. Manual

After a short period of time, you can see which locks are in their coverage in the app. Once the lock is bound to the gateway, the lock can be managed through the gateway

## 4.FAQ

1) How to read operation records?	In the Records of the main interface. .
2) Why can't I unlock it after open the passage mode	You need to perform an unlock verification in any method, than the passage mode will take effect.
3) What is the purpose of Auto Lock	You can set how long to lock after unlocking
4) After installation, touch sensing keyboard, screen no respond	<p>a) In this case, first check that the positive and negative electrodes of the battery have been installed upside down, whether the battery has enough power</p> <p>b) Remove the back panel and see if it's connected.</p> <p>c) To eliminate the above situation, you need to remove the lock ,check whether the wires of the lock body are squeezed, and the re-wire.</p>
5) Unable to register fingerprint	<p>Check the fingers for dirt or wear, check the fingerprint head on the lock for dirt and oil stains, etc.</p> <p>Check to see if the fingerprint is working properly(Press to see if there is any responds.</p>
6) What is the reason why the smart lock consumes fast power?	<p>a) Large standby power consumption</p> <p>b) Short circuit</p>
7) There is no response to pressing the handle on outside the door, and there is unlock normally on inside the door, but the verification is normal, and the motor is normal.	It may be the triangle direction on the clutch was error, please check correction.
8) How many times will the password be locked? How long is it locked?	Enter the wrong password more than 5 times in a row, the keyboard is locked for 5 minus, Other ways to can open the door

# Guarantee

Customer Name: \_\_\_\_\_

Customer Calls : \_\_\_\_\_

Purchase Date : \_\_\_\_\_

Product Name : \_\_\_\_\_

Product Model : \_\_\_\_\_

## Note:

- ① Please keep this card so that you can use it when you need warranty service.
- ② We provide you with a one-year warranty from the date of purchase.
- ③ This warranty service is valid for customers in any country in the world.