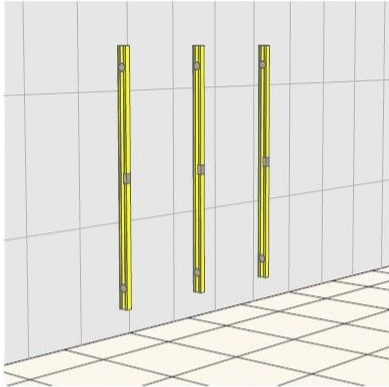




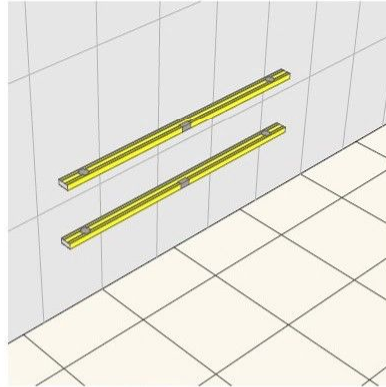
ENSURE YOUR WALL IS FLAT AND PLUMB

Before starting, check that your wall is plumb and flat. If it isn't you will need to pack out the vanity otherwise the drawers and doors will not function properly and will be out of alignment.

1



Ensure wall is plumb



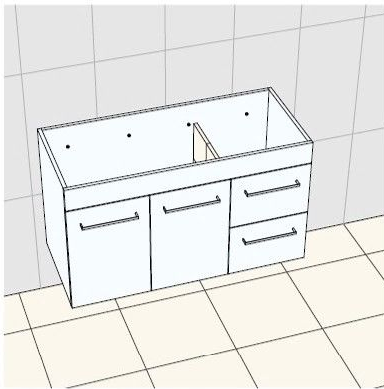
Ensure wall is flat
(No gaps between wall and level)

FIX YOUR VANITY MAKING SURE IT IS LEVEL AND PLUMB

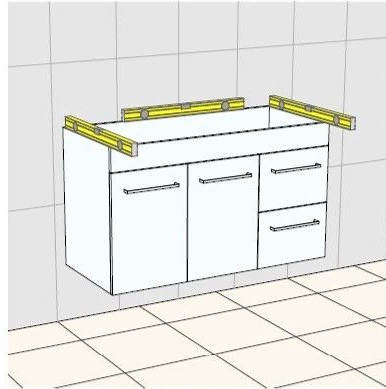
Fix your vanity using screws through the solid back of the cabinet. The screws should be suited to the stud material and have a pan or counter sunk head. Provide a horizontal row of screws within 100mm vertically from the top of the cabinet at a maximum of 300mm horizontal spacing. The screws closest to the left and right edge of the cabinet should be within 100mm of each side.

Ensure that the cabinet is level and plumb in all directions. If not remove the cabinet and pack or straighten the wall accordingly. Don't install the top until you are sure that the vanity is plumb and level in all directions.

2



Fix as noted above



Check cabinet is level and plumb

3

FIT THE TOP

Fit the top using a thin bead of silicone.

?

SOMETHING NOT QUITE RIGHT?

If you have a problem - and have carefully checked all the steps above to ensure it has been done right - give us a call. We'll be glad to help. To make it easy for us, please email some photos of the problem. Including photos of the levels as shown at step 1 and 2 above.